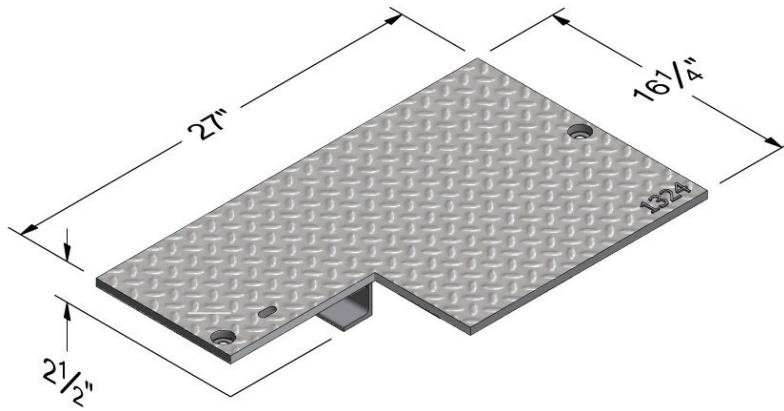
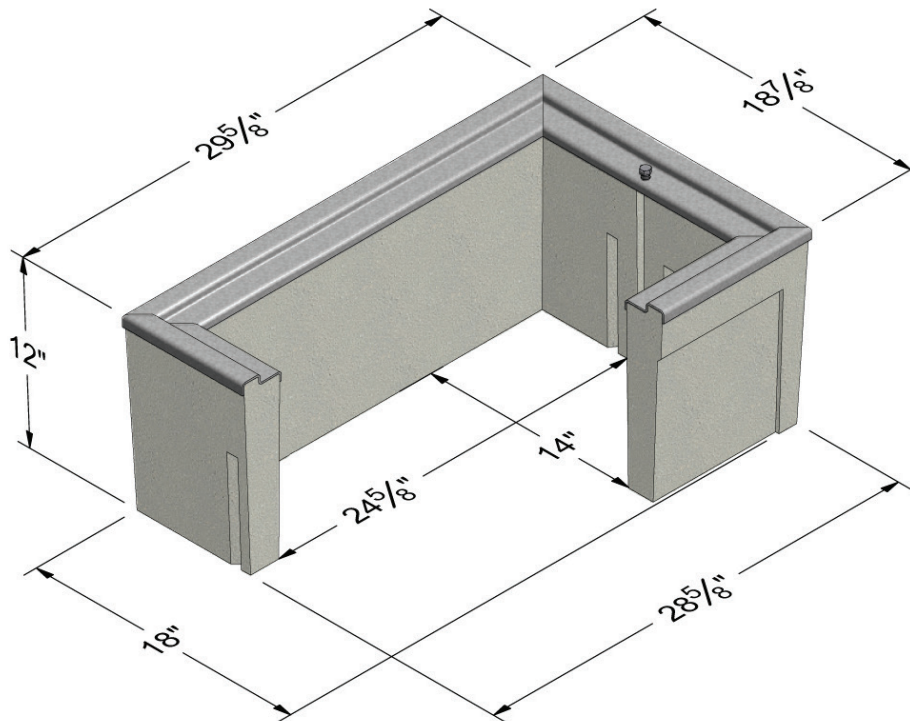


# B1324



**COVER:**  
 Style: Flush  
 Material: Steel Checker Plate  
 Model: 16" x 27"  
 Weight: 70 lbs  
 Options: Special Markings  
 Surface: Skid Resistant & Marked\*  
 Coefficient of Friction: >0.6 ASTM 1028  
 Performance: H20, AASHTO M309

**BODY:**  
 Material: Reinforced Concrete with Steel Frame  
 Model: 19" x 30"  
 Weight: 166 lbs  
 Wall Type: Straight  
 Mouseholes: 0  
 Performance: H20, AASHTO M309



**OPTIONS:** **Steel Checker Plate Covers:**  
 Flush Solid  
 Bolt Down Locking Available  
 Galvanizing Available  
 EMS Marker  
 Lid Gaskets\*

\*Lid Gaskets inhibit water flow into the box, they do not make Enclosure fully waterproof.



**Traffic Rated: Continuous Roadway Traffic**

All information contained on this sheet is current at the time of printing. Oldcastle Precast, Inc. reserves the right to discontinue or update product information without notice.

Actual load rating is determined by the box and cover combination. Weights and dimensions may vary slightly.

Rev 12/2016 ©2016 Oldcastle, Inc.

\*Cover comes standard with permanent markings for manufacturer, load rating, model size and manufacturing location.

Contact your Oldcastle Enclosure Solutions Distribution Center for specific information and additional options.